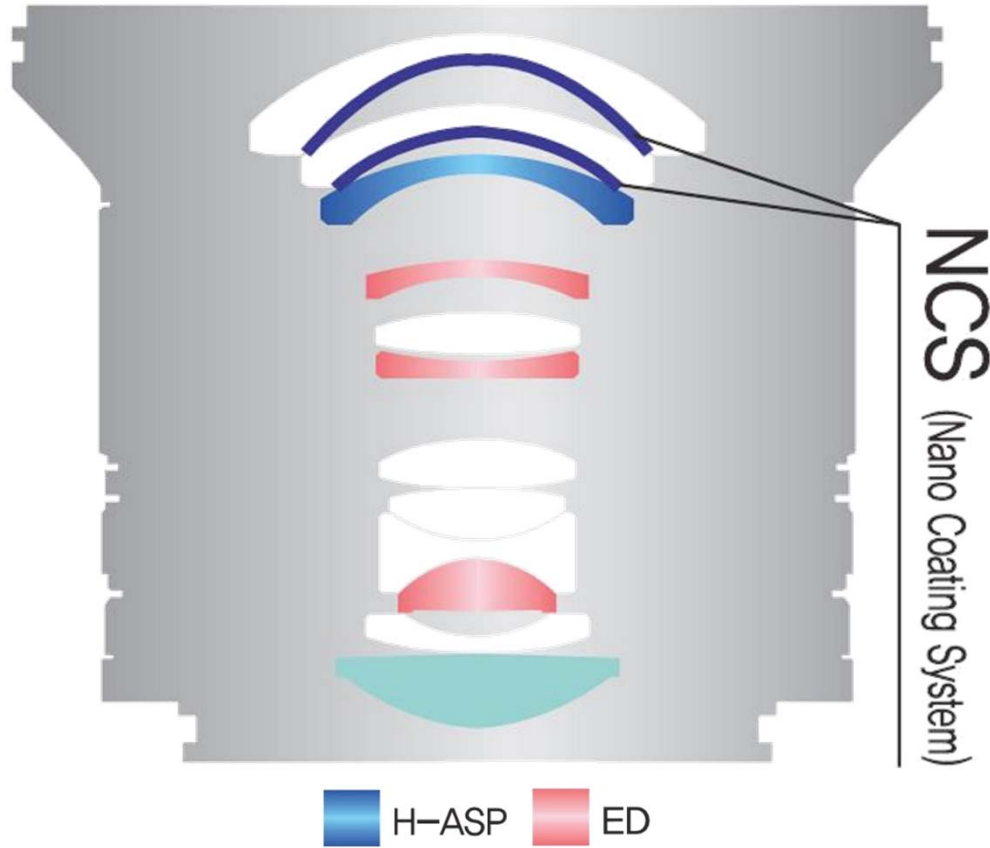


Samyang SMV-12M28C (12mm F2.0)

► Lens Appearance



► Technical Specification

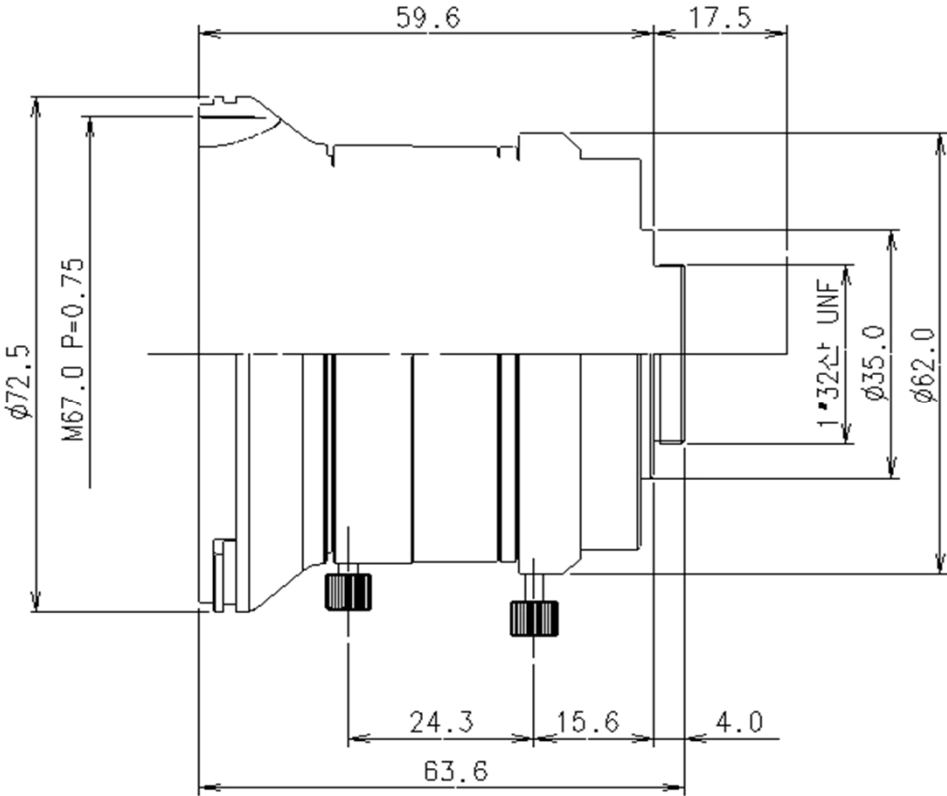
Focal length (mm)	12
Aperture	F2.0 ~ F22
Lens elements/Groups	12/10
Working distance (Min.~Max / mm)	130 ~ ∞
Image circle (mm)	28.5
Flange back (mm)	17.526 (C-mount)
M.O.D (form Sensor / mm)	200
Image ratio at MOD	1:10.9
Diameter max (Φ)	72.5
Filter Size (Φ)	67
Rotation angle of focusing ring(inf-∞)	

Working distance	Magnification	W.D (mm)
	0.025x	480
	0.05x	240
	0.092x	130

※ WD calculation

Samyang SMV-12M28C (12mm F2.0)

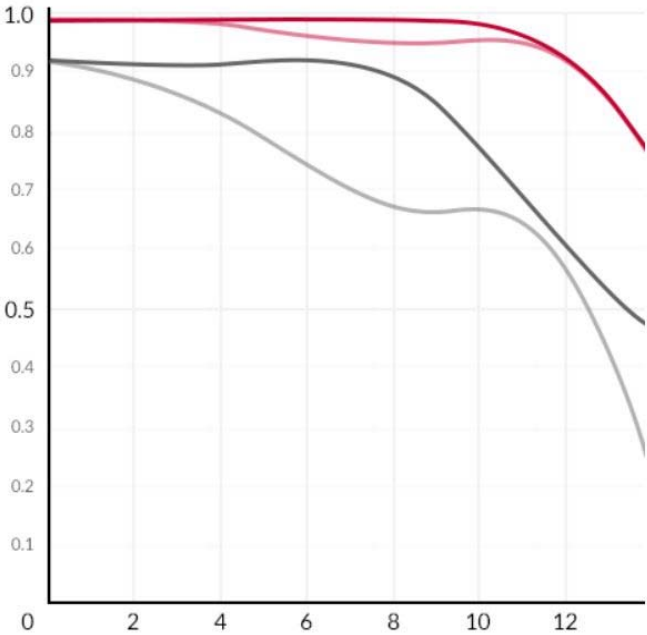
► **Lens Dimension**



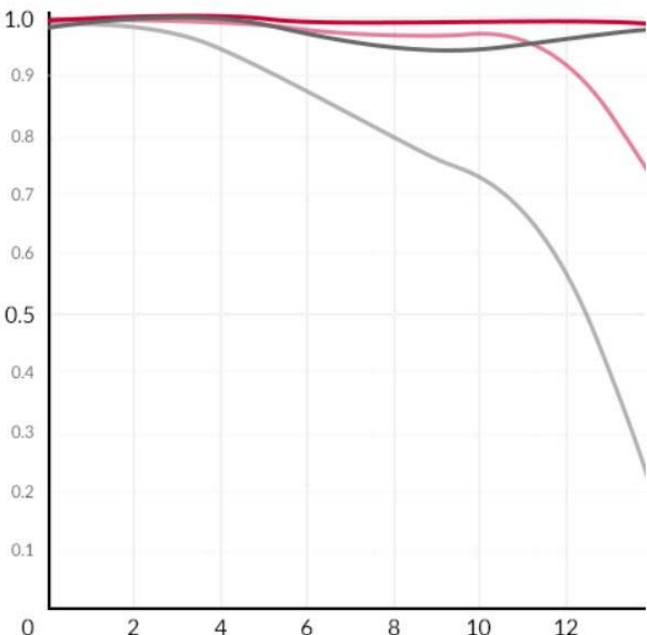
► **MTF Charts**

Resolution	Direction	
	Sagittal	Meridional
10 lines/mm	—	—
30 lines/mm	—	—

MAX. aperture

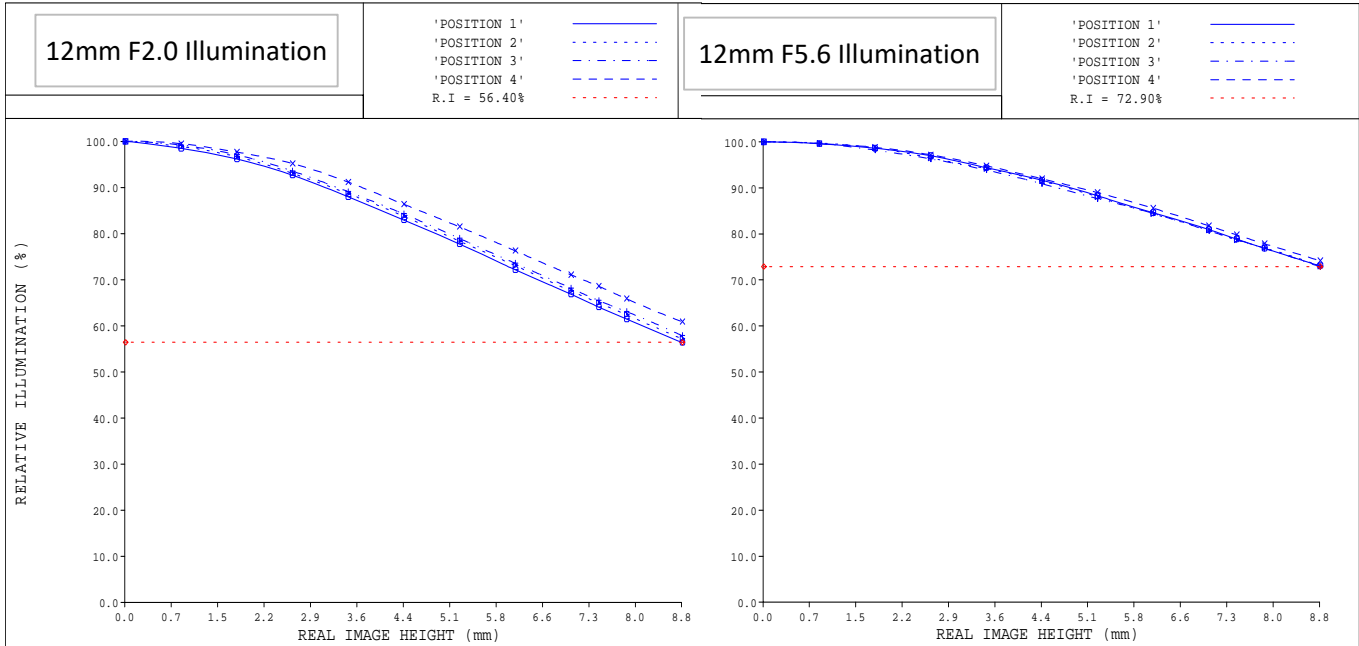


F8

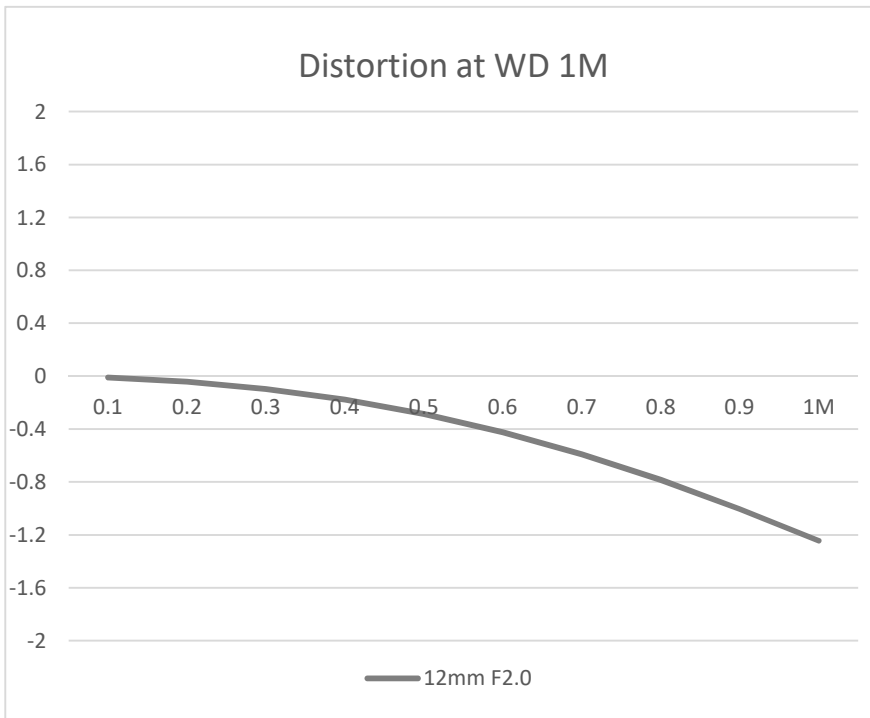


Samyang SMV-12M28C (12mm F2.0)

► Relative Illuminance



► Relative Distortion



* This Distortion data is case by APS-C(28.5mm) Image circle