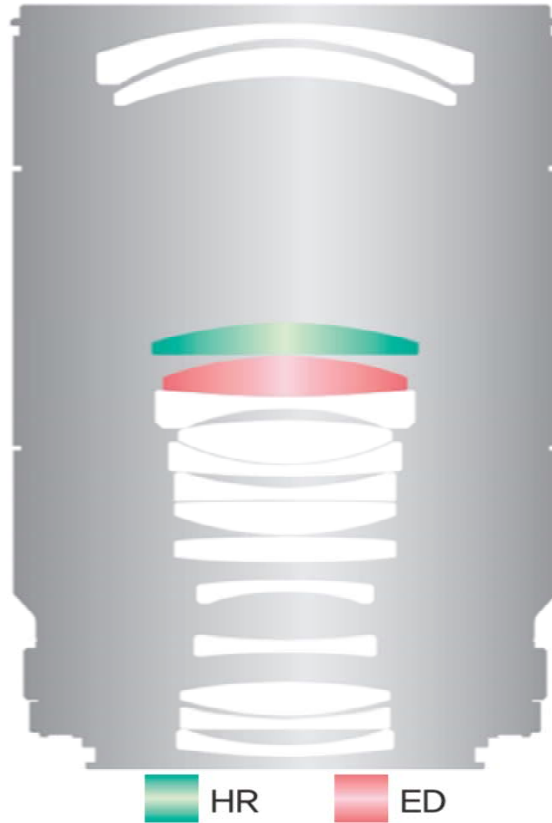


Samyang SMV-100M43(100mm F2.8) MACRO

► Lens Appearance



► Technical Specification

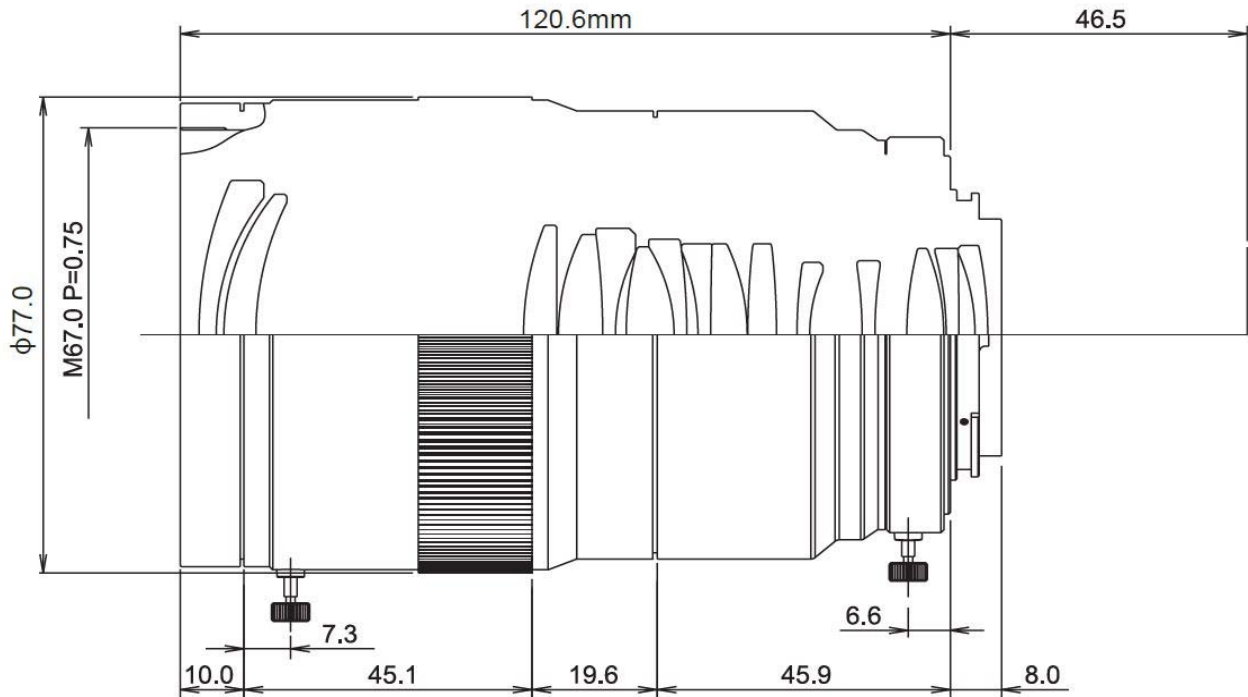
| | |
|--|----------------|
| Focal length (mm) | 100 |
| Aperture | F2.8 ~ F32 |
| Lens elements/Groups | 15/12 |
| Working distance (Min.~Max / mm) | 141 ~ ∞ |
| Image circle (mm) | 43.2 |
| Flange back (mm) | 46.5 (F mount) |
| M.O.D (form Sensor / mm) | 307 |
| Image ratio at MOD | 1 : 1.0 |
| Diameter max (Φ) | 77.0 |
| Filter Size (Φ) | 67.0 |
| Rotation angle of focusing ring(inf-∞) | 180 |

| Working distance | Magnification | W.D (mm) |
|------------------|---------------|----------|
| | 0.02x | 5000.0 |
| | 0.28x | 372.25 |
| | 1.0x | 141.2 |

※ WD calculation

Samyang SMV-100M43(100mm F2.8) MACRO

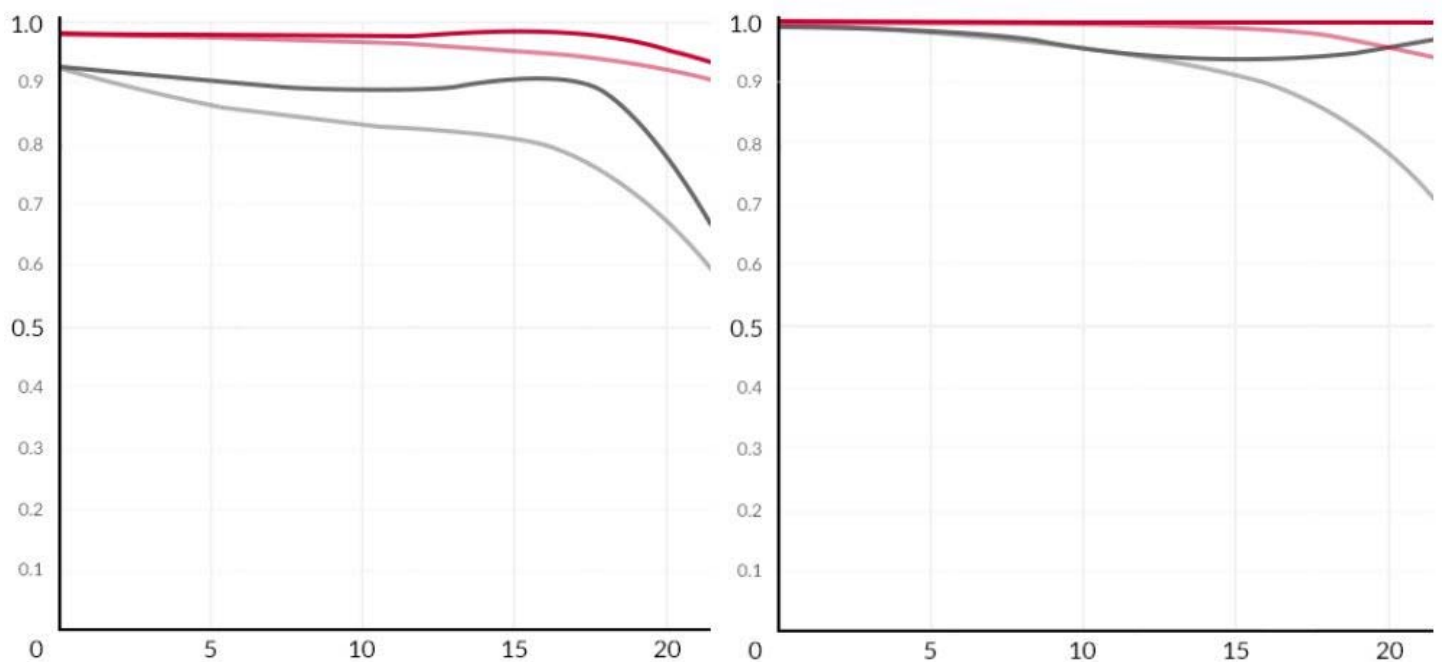
► Lens Dimension



► MTF Charts

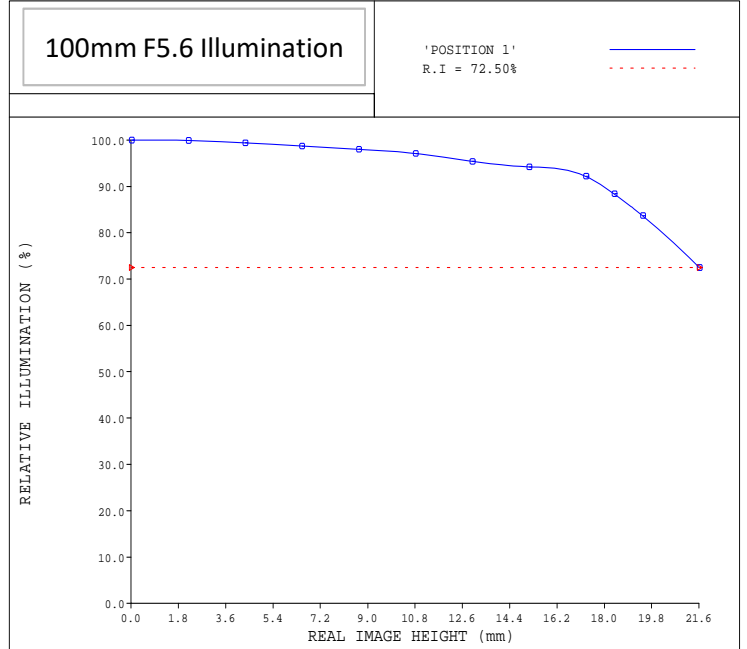
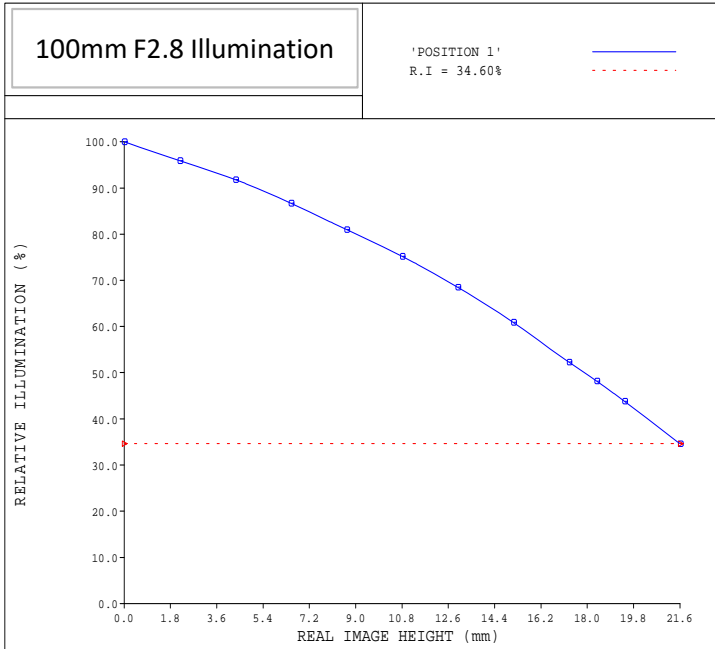
MAX. aperture

F8



Samyang SMV-100M43(100mm F2.8) MACRO

► Relative Illuminance



► Relative Distortion

