

Samyang SMV-85M43(85mm F1.4)

▶ Lens Appearance



▶ Technical Specification

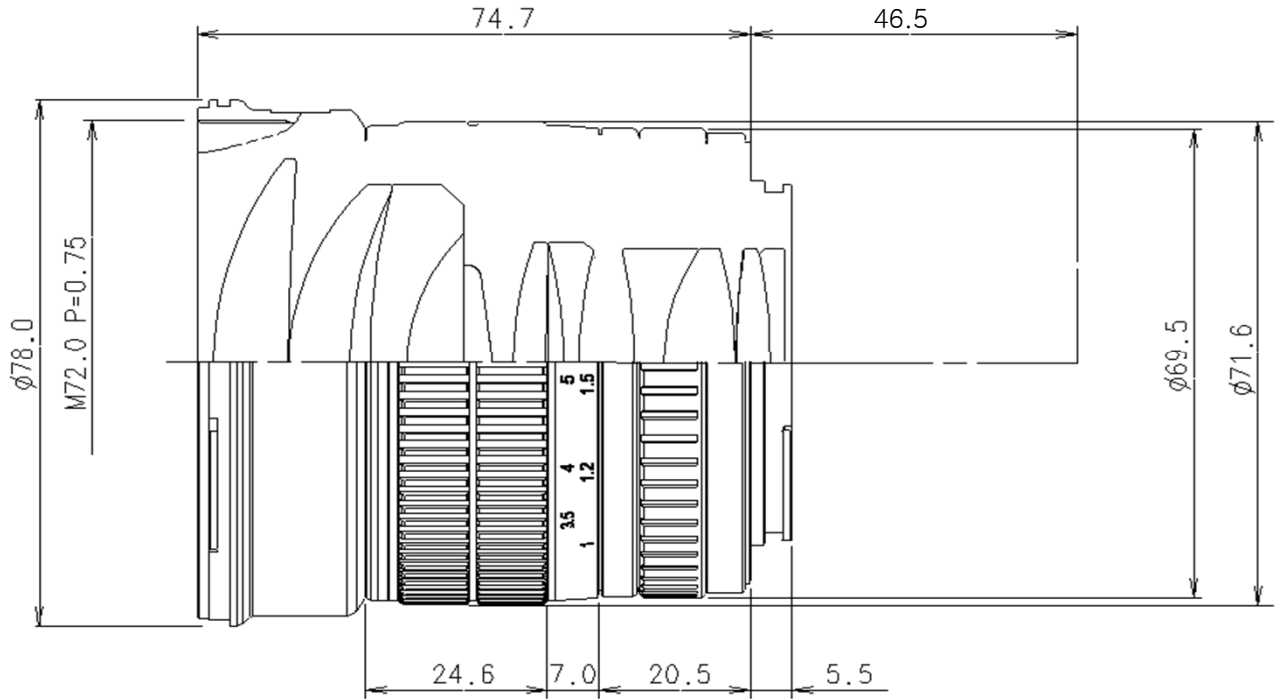
Focal length (mm)	85
Aperture	F1.4 ~ F22
Lens elements/Groups	9/7
Working distance (Min.~Max / mm)	998 ~ ∞
Image circle (mm)	43.2
Flange back (mm)	46.5 (F mount)
M.O.D (form Sensor / mm)	1,110
Image ratio at MOD	1 : 11.7
Diameter max (Φ)	78.0
Filter Size (Φ)	72.0
Rotation angle of focusing ring(inf-∞)	134

Working distance	Magnification	W.D (mm)
	0.019x	4500.0
	0.086x	998.0

※ WD calculation

Samyang SMV-85M43(85mm F1.4)

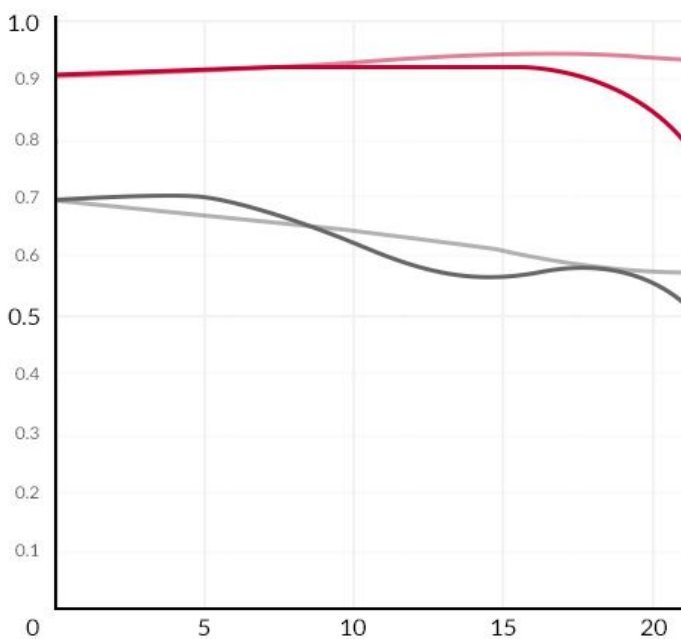
► Lens Dimension



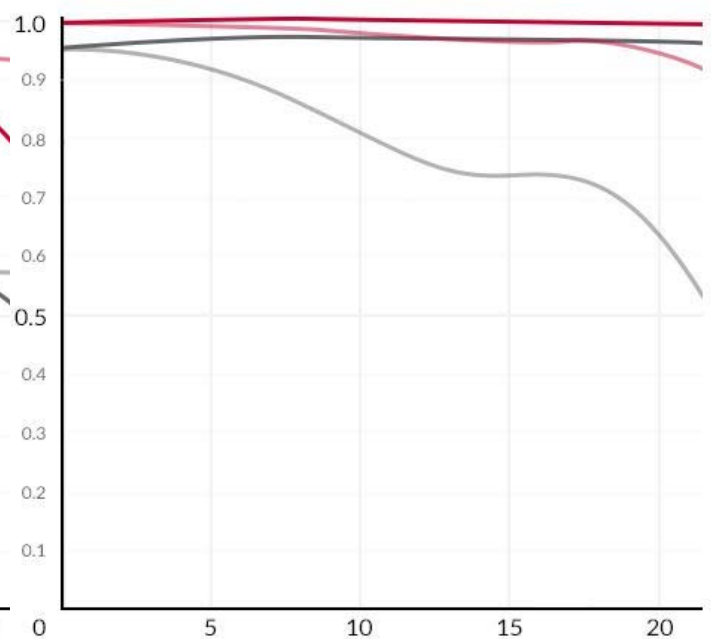
► MTF Charts

Resolution	Direction	
	Sagittal	Meridional
10 lines/mm	—	—
30 lines/mm	—	—

MAX. aperture

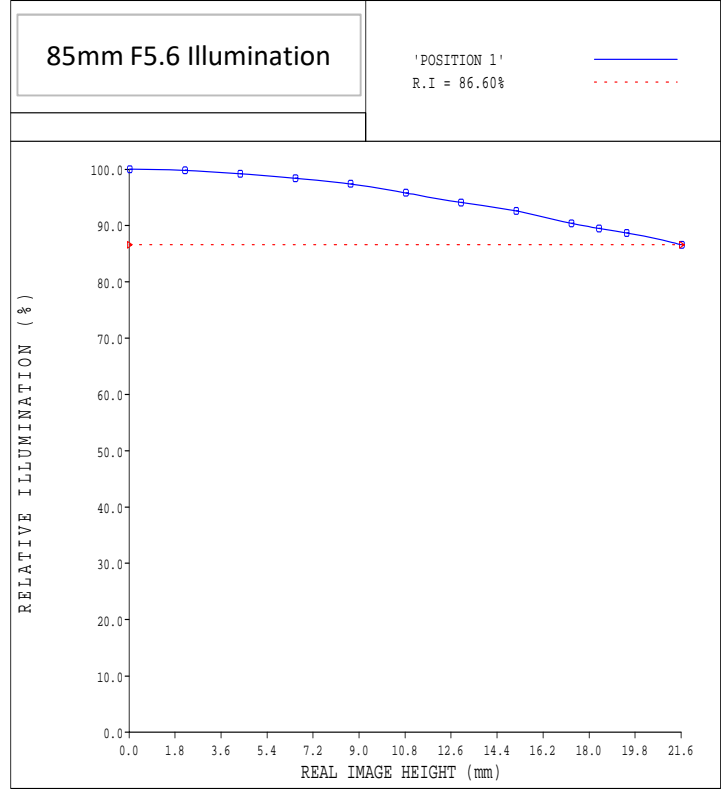
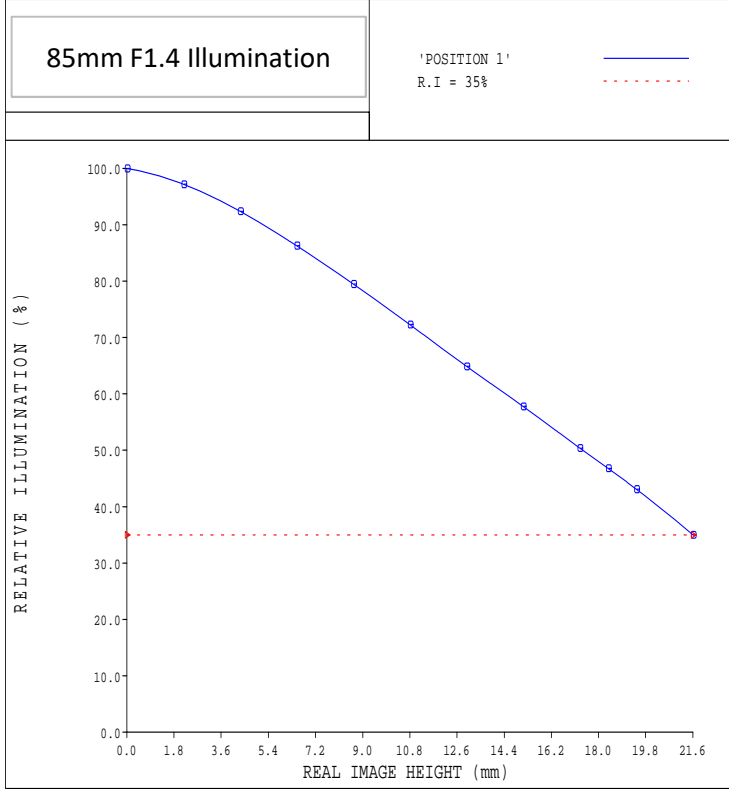


F8



Samyang SMV-85M43(85mm F1.4)

► Relative Illuminance



► Relative Distortion

