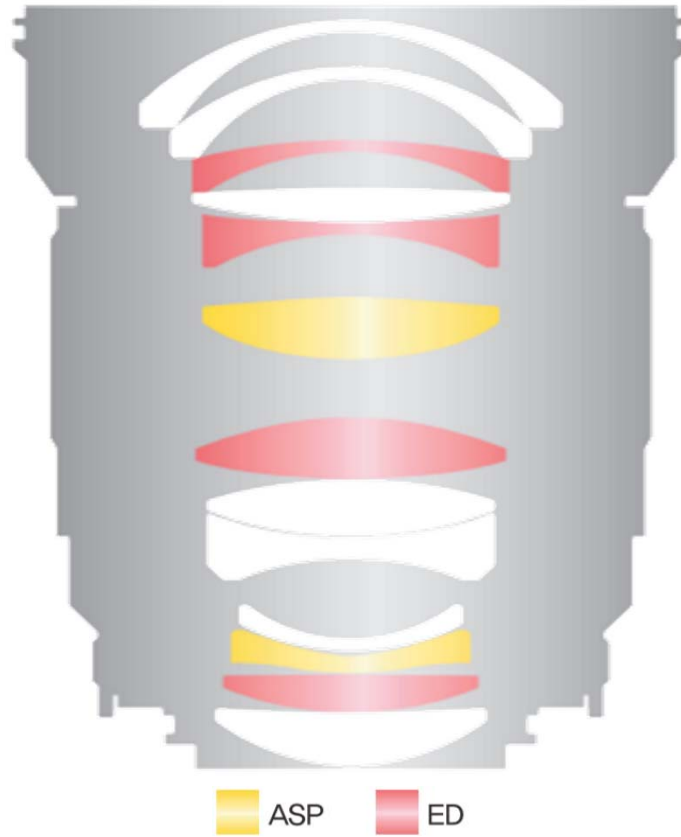


Samyang SMV-24M43 (24mm F1.4)

► Lens Appearance



► Technical Specification

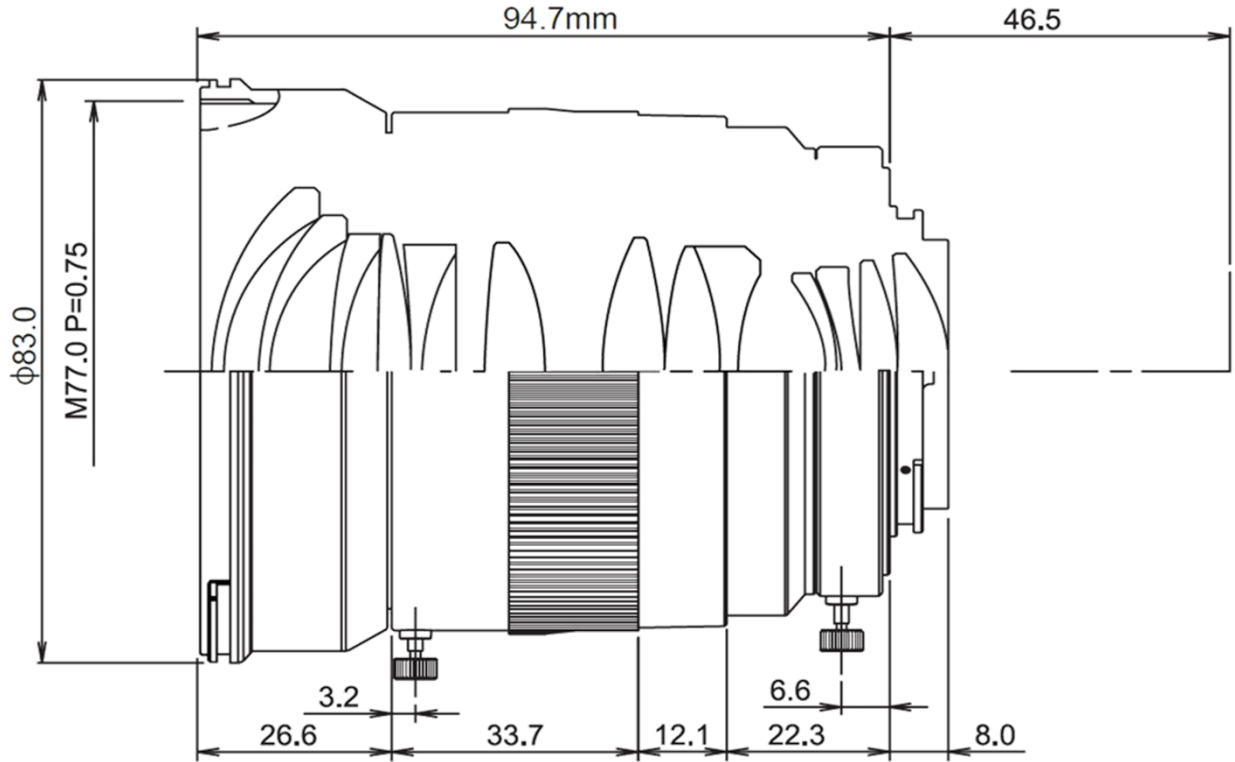
Focal length (mm)	24
Aperture	F1.4 ~ F22
Lens elements/Groups	13/12
Working distance (Min.~Max / mm)	106mm ~ ∞
Image circle (mm)	43.2
Flange back (mm)	46.5 (F mount)
M.O.D (form Sensor / mm)	250
Image ratio at MOD	1:5.1
Diameter max (Φ)	83
Filter Size (Φ)	77
Rotation angle of focusing ring(inf-∞)	130

Working distance	Magnification	W.D (mm)
	0.028	860.0
	0.066	360.0
	0.195	106.0

※ WD calculation

Samyang SMV-24M43 (24mm F1.4)

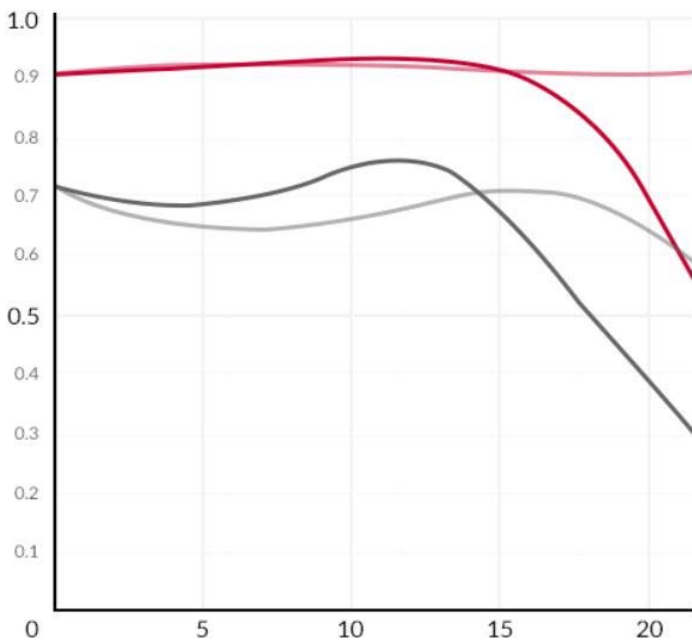
► Lens Dimension



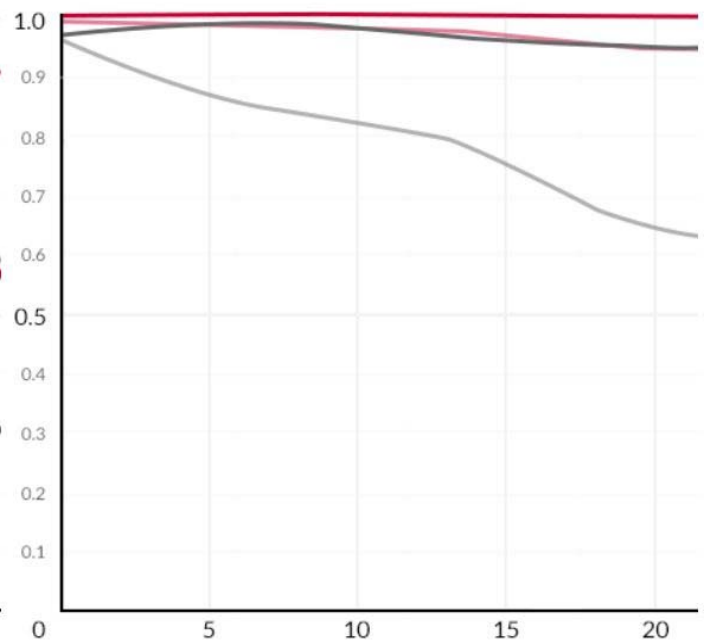
► MTF Charts

Resolution	Direction	
	Sagittal	Meridional
10 lines/mm	—	—
30 lines/mm	—	—

MAX. aperture

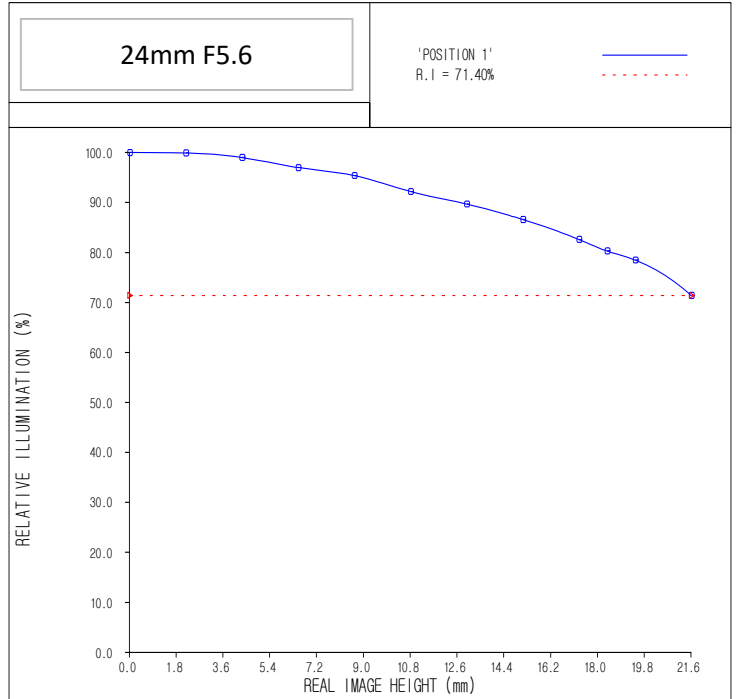
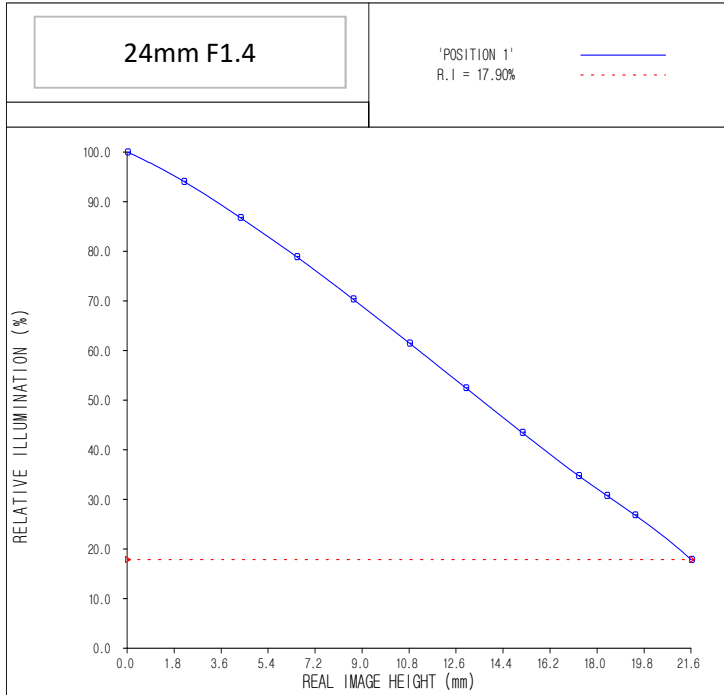


F8



Samyang SMV-24M43 (24mm F1.4)

► Relative Illuminance



► Relative Distortion

