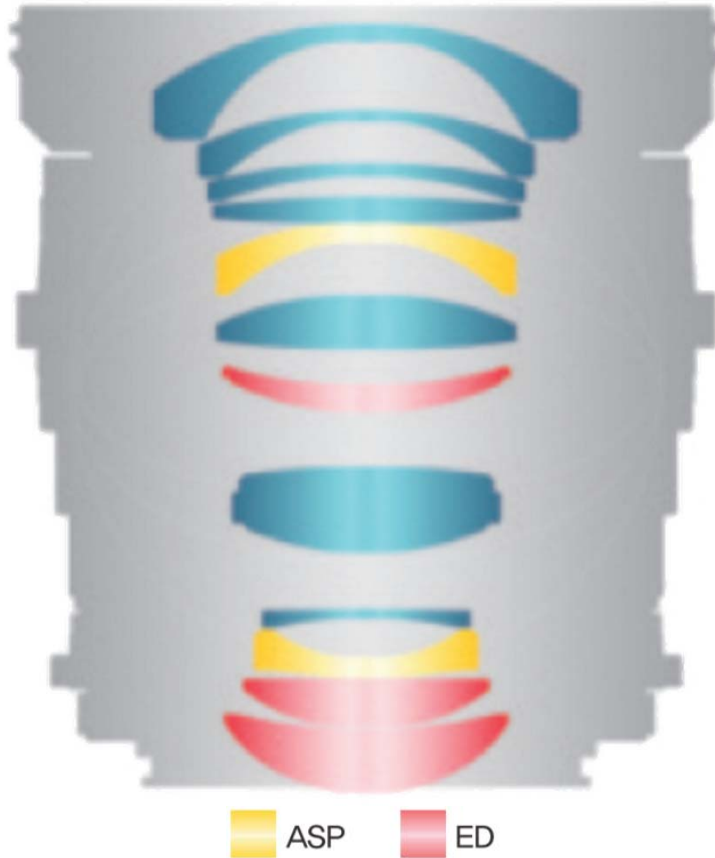


Samyang SMV-20M43 (20mm F1.8)

► Lens Appearance



► Technical Specification

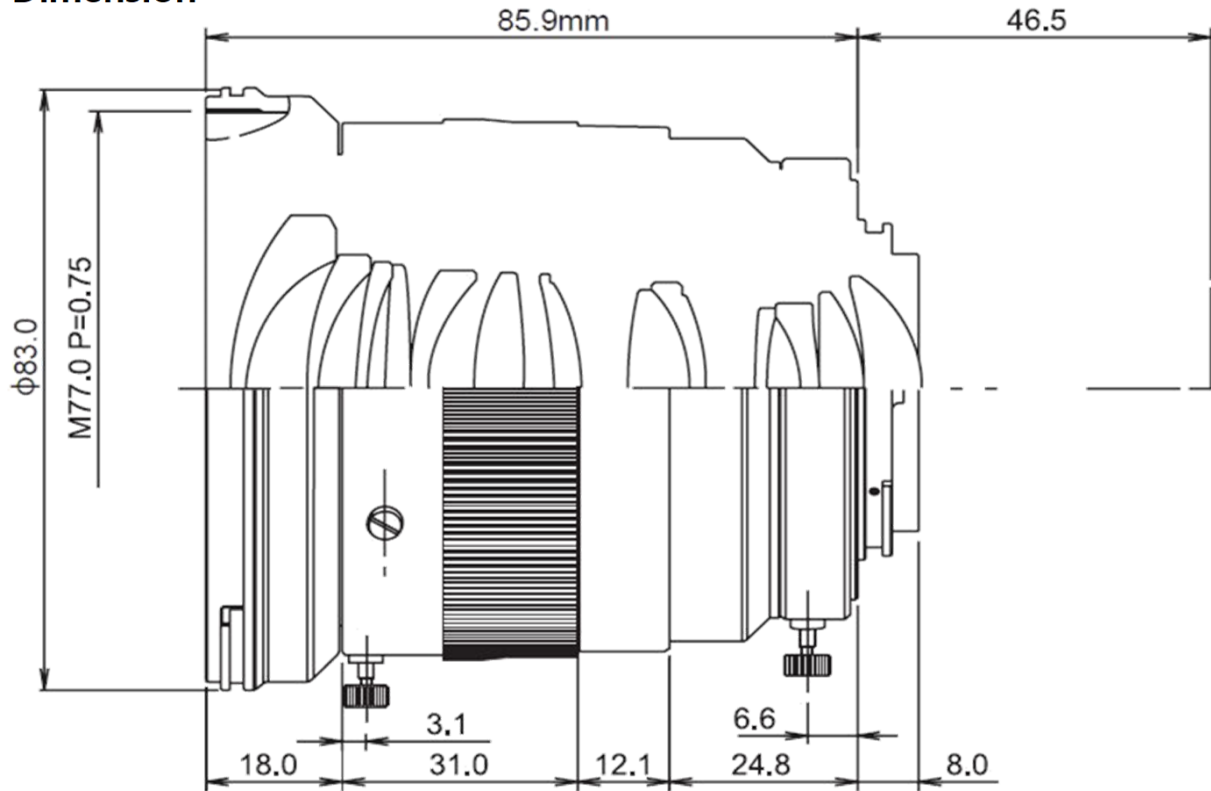
Focal length (mm)	20
Aperture	F1.8 ~ F22
Lens elements/Groups	13/12
Working distance (Min.~Max / mm)	65mm ~ ∞
Image circle (mm)	43.2
Flange back (mm)	46.5 (F mount)
M.O.D (form Sensor / mm)	200
Image ratio at MOD	1:4.3
Diameter max (Φ)	83
Filter Size (Φ)	77
Rotation angle of focusing ring(inf-∞)	192

Working distance	Magnification	W.D (mm)
	0.025x	800.0
	0.05x	393.2
	0.234x	65.0

※ WD calculation

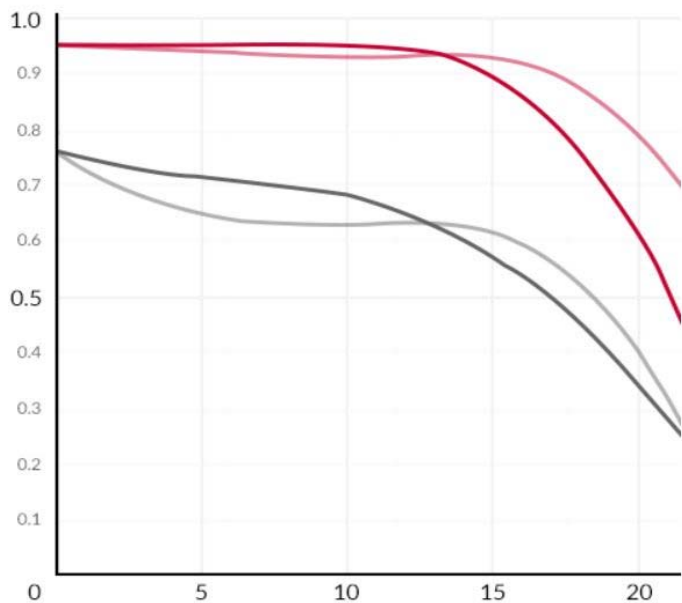
Samyang SMV-20M43 (20mm F1.8)

► Lens Dimension

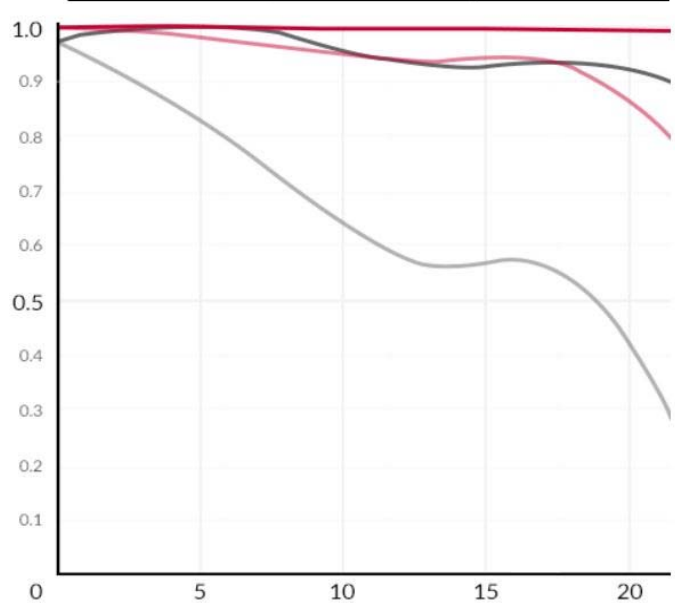


► MTF Charts

MAX. aperture



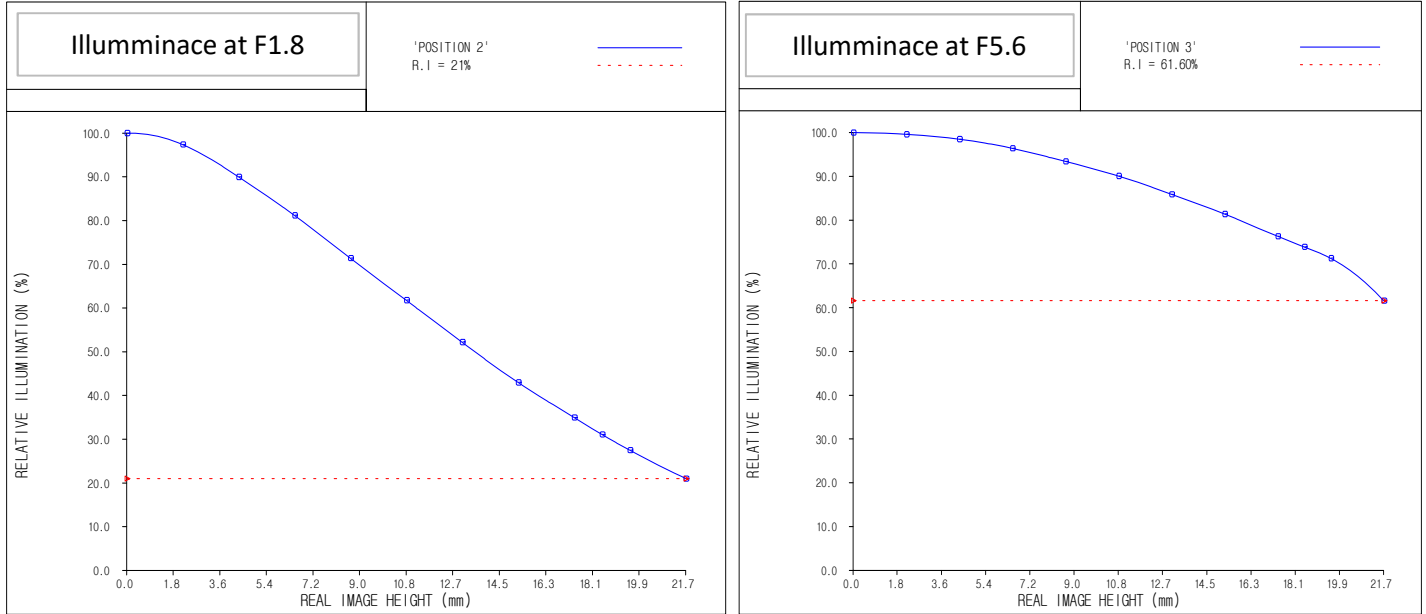
F8



Resolution	Direction	
	Sagittal	Meridional
10 lines/mm	—	—
30 lines/mm	—	—

Samyang SMV-20M43 (20mm F1.8)

► Relative Illuminance



► Relative Distortion

