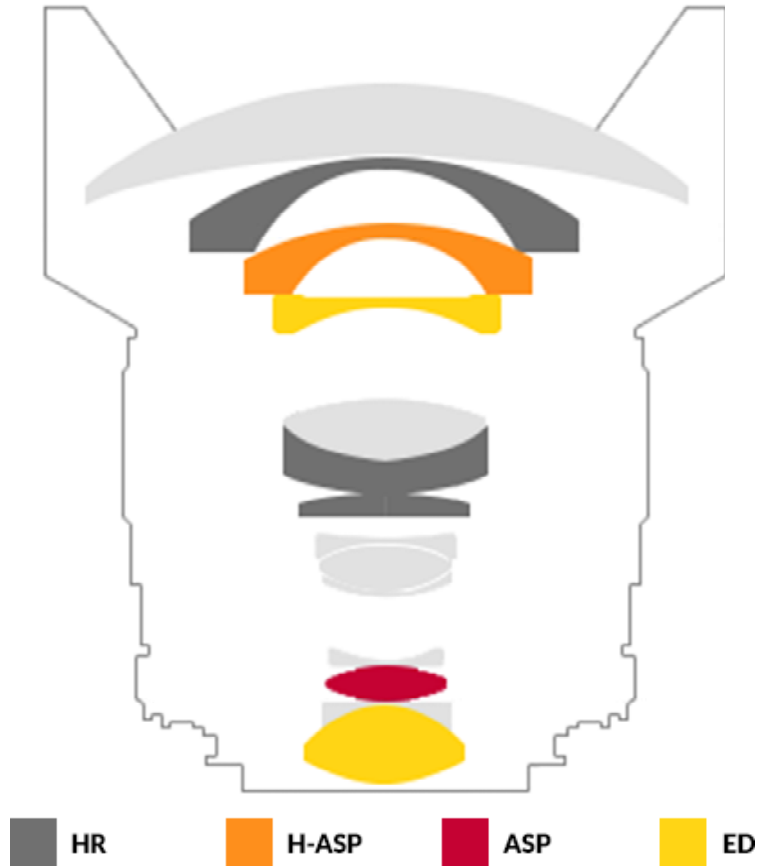


## Samyang SMV-14M43(14mm F2.8)

### ► Lens Appearance



### ► Technical Specification

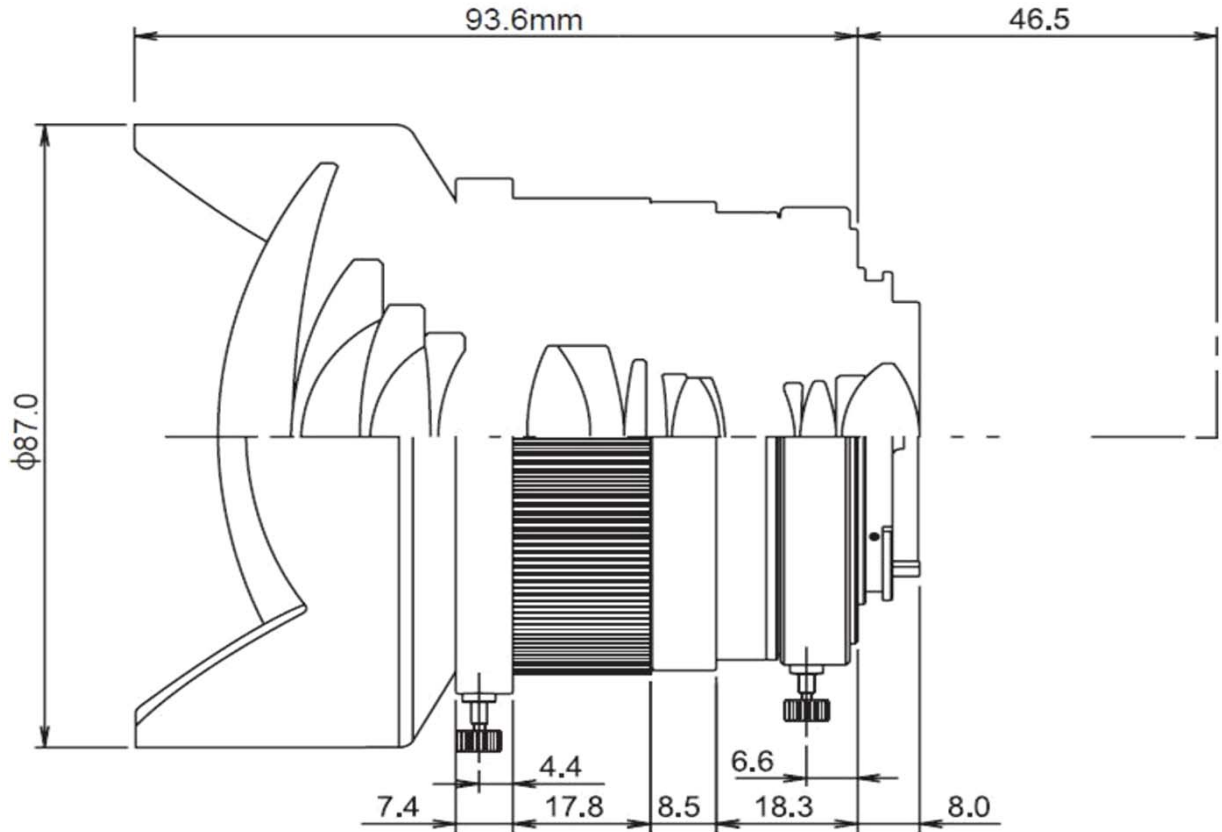
Focal length (mm)	14
Aperture	F2.8 ~ F22
Lens elements/Groups	14/10
Working distance (Min.~Max / mm)	140 ~ ∞
Image circle (mm)	43.2
Flange back (mm)	46.5 (F mount)
M.O.D (form Sensor / mm)	280
Image ratio at MOD	1:12.3
Diameter max (Φ)	87
Filter Size (Φ)	-
Rotation angle of focusing ring(inf-∞)	-

Working distance	Magnification	W.D (mm)
	0.009x	1500
	0.08x	140

※ WD calculation

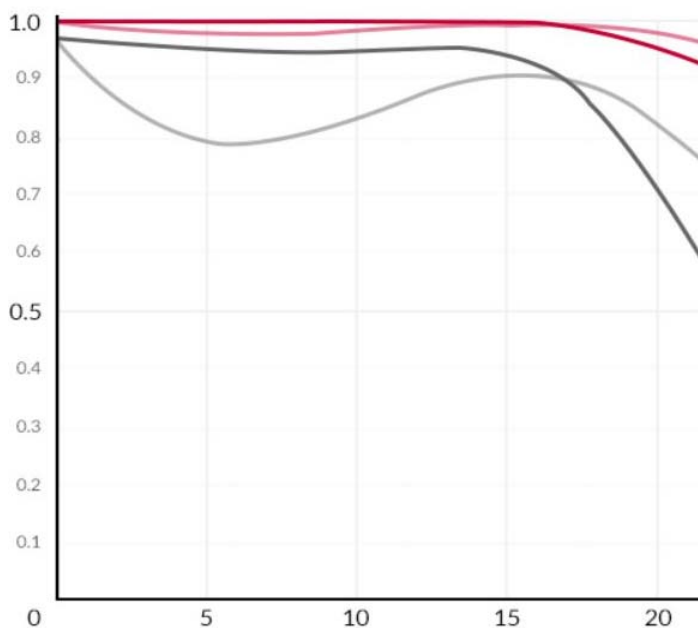
## Samyang SMV-14M43(14mm F2.8)

### ► Lens Dimension

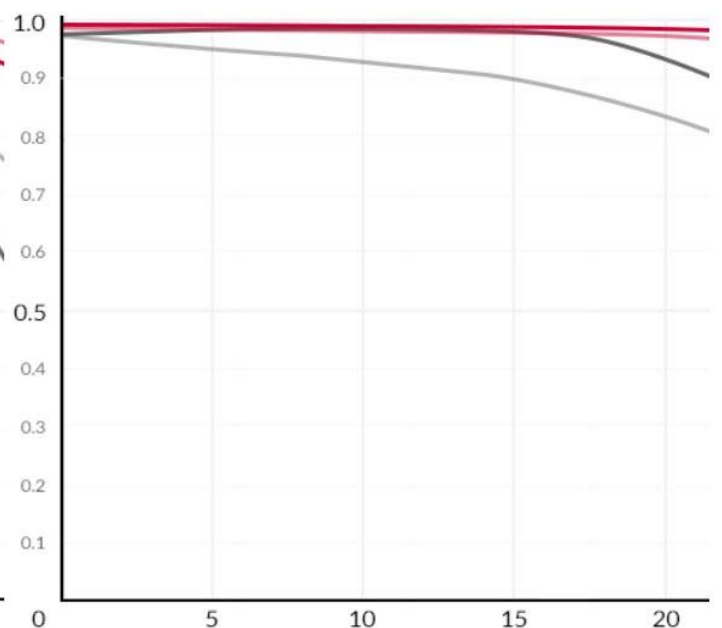


### ► MTF Charts

MAX. aperture



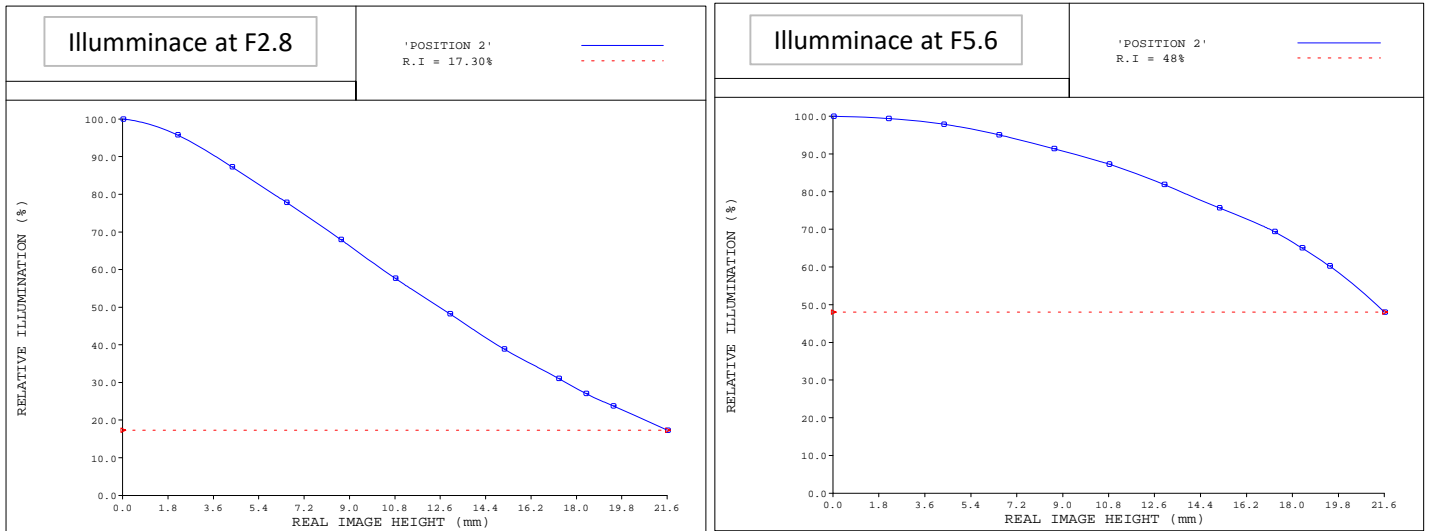
F8



Resolution	Direction	
	Sagittal	Meridional
10 lines/mm	<span style="color: red;">—</span>	<span style="color: red;">—</span>
30 lines/mm	<span style="color: grey;">—</span>	<span style="color: grey;">—</span>

## Samyang SMV-14M43(14mm F2.8)

### ► Relative Illuminance



### ► Relative Distortion

